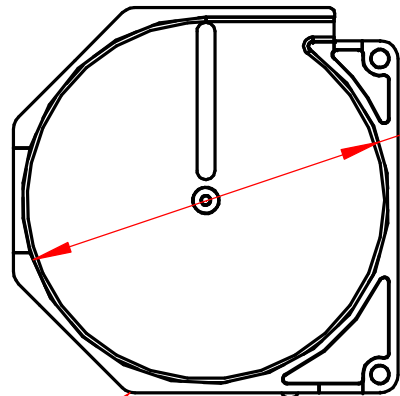
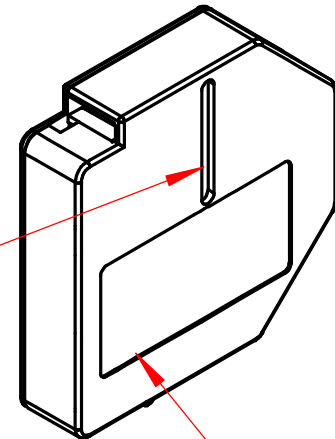


Cover



Body

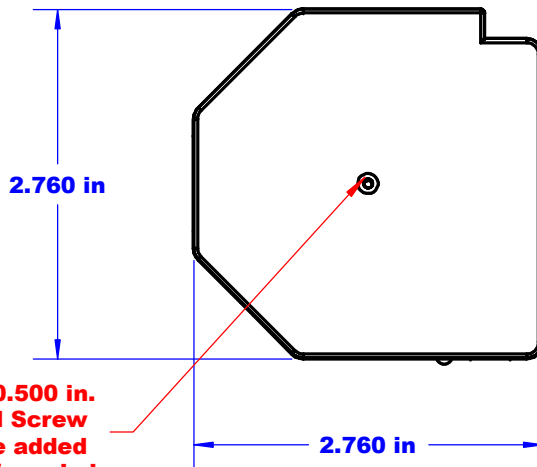
Ø2.625 in  
Can hold up to  
1000 Components  
On 8mm & 12mm Tapes



Capacity Sight  
Window

Side Label  
Recess 1" x 2"

Front Label Area  
0.500 x 2.200 inches



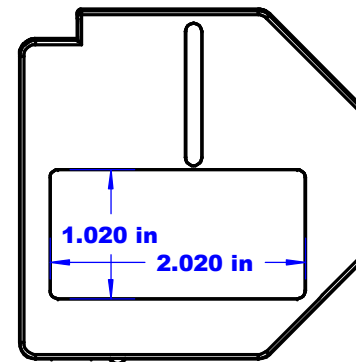
2.760 in

2.760 in



0.625 in

2-56 x 0.500 in.  
Flat Head Screw  
can be added  
if needed



1.020 in

2.020 in



**COMPONENT  
STORAGE  
INNOVATIONS  
LLC**

*Made in U.S.A.*

19A Clinton Drive, Suite 16  
Hollis, NH 03049  
Ph: (603) 921 - 5300

TITLE  
**EZ-SMD Component Dispenser**

SIZE <b>A</b>	DWG NO <b>EZSMD-DISP-PIM-ESD-01</b>	REV <b>B</b>
------------------	--	-----------------

SCALE	DATE: <b>7-18-19</b>	SHEET <b>1 of 1</b>
-------	----------------------	---------------------

APPROVED BY: *H. Cadman*